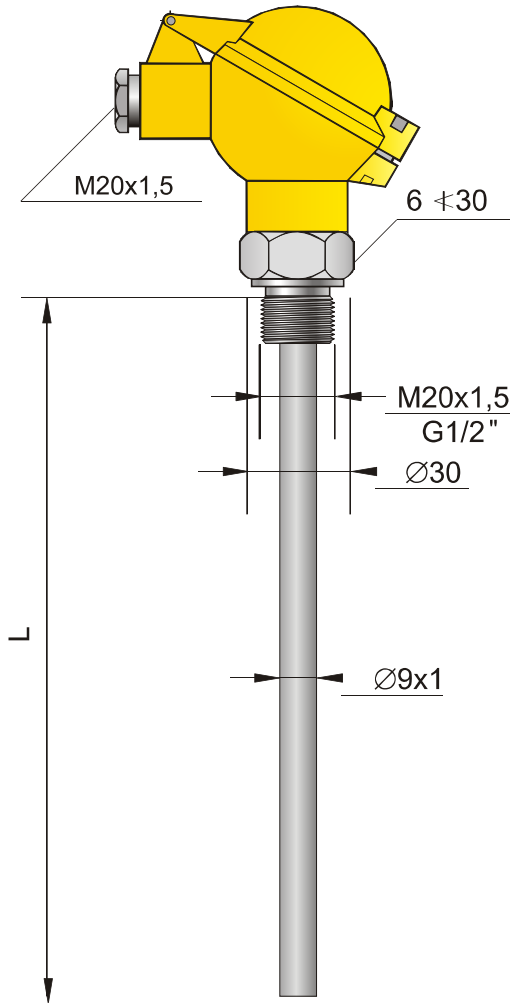


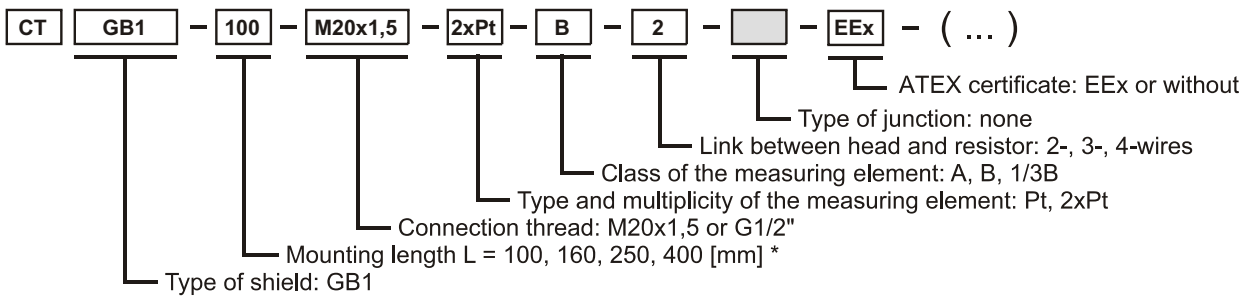
# Temperature sensor type CT GB1



## TECHNICAL DATA:

1. Measuring range:  
Pt: -200 ... 150 [°C]
  2. Admissible load:  
see **Graph 2** (page 126)
  3. Material of wetted parts:  
304ss or 316Lss
  4. Standard immersion length L:  
100, 160, 250, 400 [mm] (\*)
  5. Process connection:  
M20x1,5 or G1/2
  6. Time constant:
- | Type of sensor | T <sub>0,5</sub> [s] | T <sub>0,9</sub> [s] |
|----------------|----------------------|----------------------|
| CT GB1         | ≤ 33                 | ≤ 95                 |
7. Diameter of the measuring insert:  
Ø= 6 [mm]
  8. Minimal immersion depth:  
70 [mm]
  9. Admissible vibrations at mounting site:  
5 ... 80 [Hz] (up to 5 [g])

## Ordering procedure:



## ADDITIONAL INFORMATION:

- 1.\* Non-standard length of temperature sensors on demand.
2. Type of exchangeable insert: W1.
3. To specify temperature sensor with the head - mounted transmitter please add code of transmitter at the end of ordering code of sensor (see chapter X) e.g.

